

PRODUCT SHEET

VACUUM INSULATED - HIGHLY FLEX

Transfer Lines

Conditioning
Equipment

Components

Johnston Coupling

Welded Coupling

Blindcap / Endpiece

VI Demaco valve

Gas lock

Highly flex

Pipe end heater

Filling Stations

Controlling

Vacuum Insulated High Flexible Filling Hoses are used to transfer liquefied gases with extreme low heat losses. This high flexibility in combination with an ultra-slim design results in an ideal and attractive alternative for non-insulated or conventional insulated flexible hoses between filling stations, storage containers and applications.



BENEFITS

Due to outstanding insulation properties, thermal heat losses are kept to a minimum

Stainless steel basis, thus perfectly suitable for food, laboratory and pharmaceutical industries

Perfectly suitable where high-quality liquid is required for the proper function of the application or machine

After delivery, up to five years maintenance free

FEATURES

All stainless steel

High vacuum level insulation

TIG and /or MAG welded in accordance with the highest standards (ISO3834-2)

Standard available diameter DN10

Standard pressure up to PN10

Delivery according to Pressure Equipment Directive (PED) and/or CE possible

APPLICATION

Installations where frequent disconnection is required.

Transfer lines from/to mobile storage and bulk tanks

Temporary connection between bulk storage and application

Flexible connection to vibrating equipment or moving applications

Hand-filling of small containers

→ www.demaco.nl

 **DEMACO**

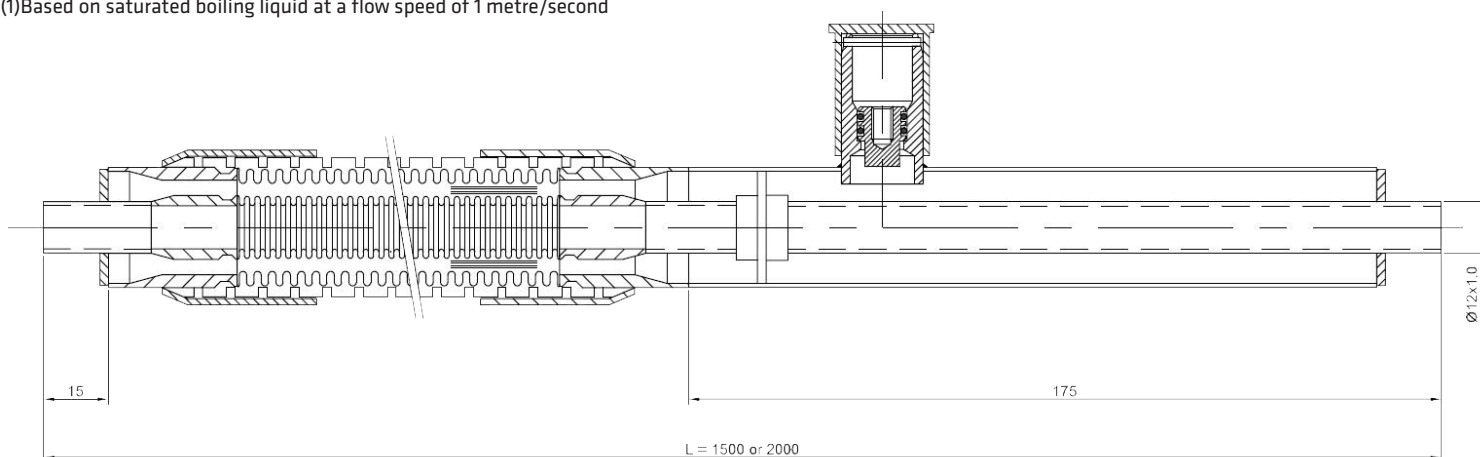
PRODUCT SHEET

VACUUM INSULATED – HIGHLY FLEX

MAIN DIMENSIONS

PIPE SIZE	PROCESS LINE I.D. (mm)	VACUUM JACKET O.D. (mm)	Max. CAPACITY INDICATION (L/h) ⁽¹⁾	Single Bend Radius (mm)	Frequent Bending Radius (mm)
DN8 HF (2)	∅ 8	∅ 32	100	150	150
DN10 HF	∅ 10	∅ 32	175	150	150
DN15 HF (2)	∅ 16	∅ 50	300	240	240

(1)Based on saturated boiling liquid at a flow speed of 1 metre/second



INTERFACES

Five standard types of connections are directly available:

- None (weld-on)
- 3/4-16UNF or 7/8-14UNF (Gland+Nut)
- Socket/Nipple 1/4", 3/8", 1/2"
- 3-piece union 1/4", 3/8", 1/2"
- Filling handle for open vessels

STANDARD STOCK LENGTHS OF DN10HF

Demaco Article No.	Length ⁽²⁾ (mm)
517.160	1500
517.165	2000

MATERIALS

Gas lock

1.4301/1.4306/1.4307 ~304(L)
(Other materials on request)

Spacers

Epoxy-reinforced glass fibre

Multi-Layer Insulation

Glass paper and Aluminium foil

DESIGN SPECIFICATIONS

Standard according to Pressure Equipment Directive (PED)

Design according to AD2000, EN13480 or ASME B31.3 (others on request)

Cleanliness level:

- Cleaned oil and fat free
- Inspected for pure oxygen usage

Static vacuum with Multi-Layer Insulation

Standard testing for each individual VIP spool:

- Dimensional check
- Pressure testing (2)
- NDE by X-ray or PT (2)
- Helium leak test (<1x10⁻⁹ mbarL/sec)
- Vacuum retention test after 24h at ambient temp (acceptance level <2x10⁻⁴ mbar)

DOCUMENTATION

Standard manufacturer data book record is part of each project and contains:

- As-built isometrics
- Safety guidelines
- User manuals (if applicable)
- Declaration of conformity (if applicable)